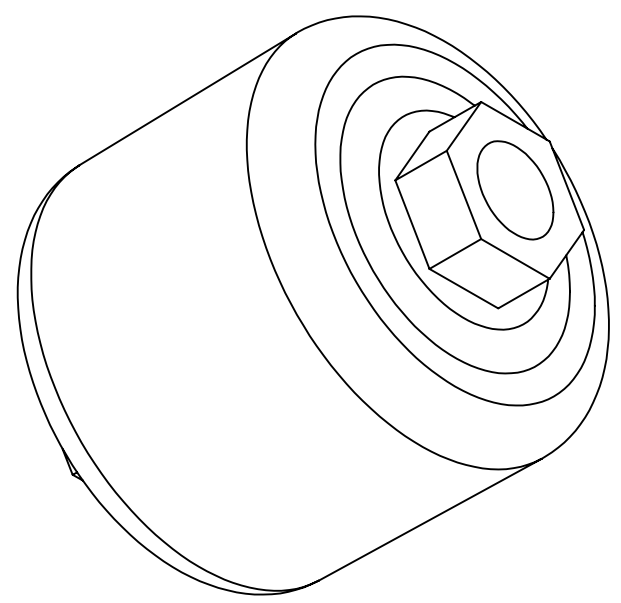
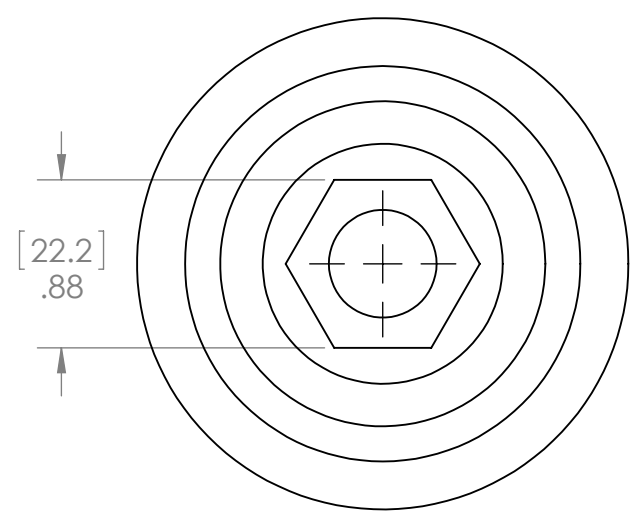
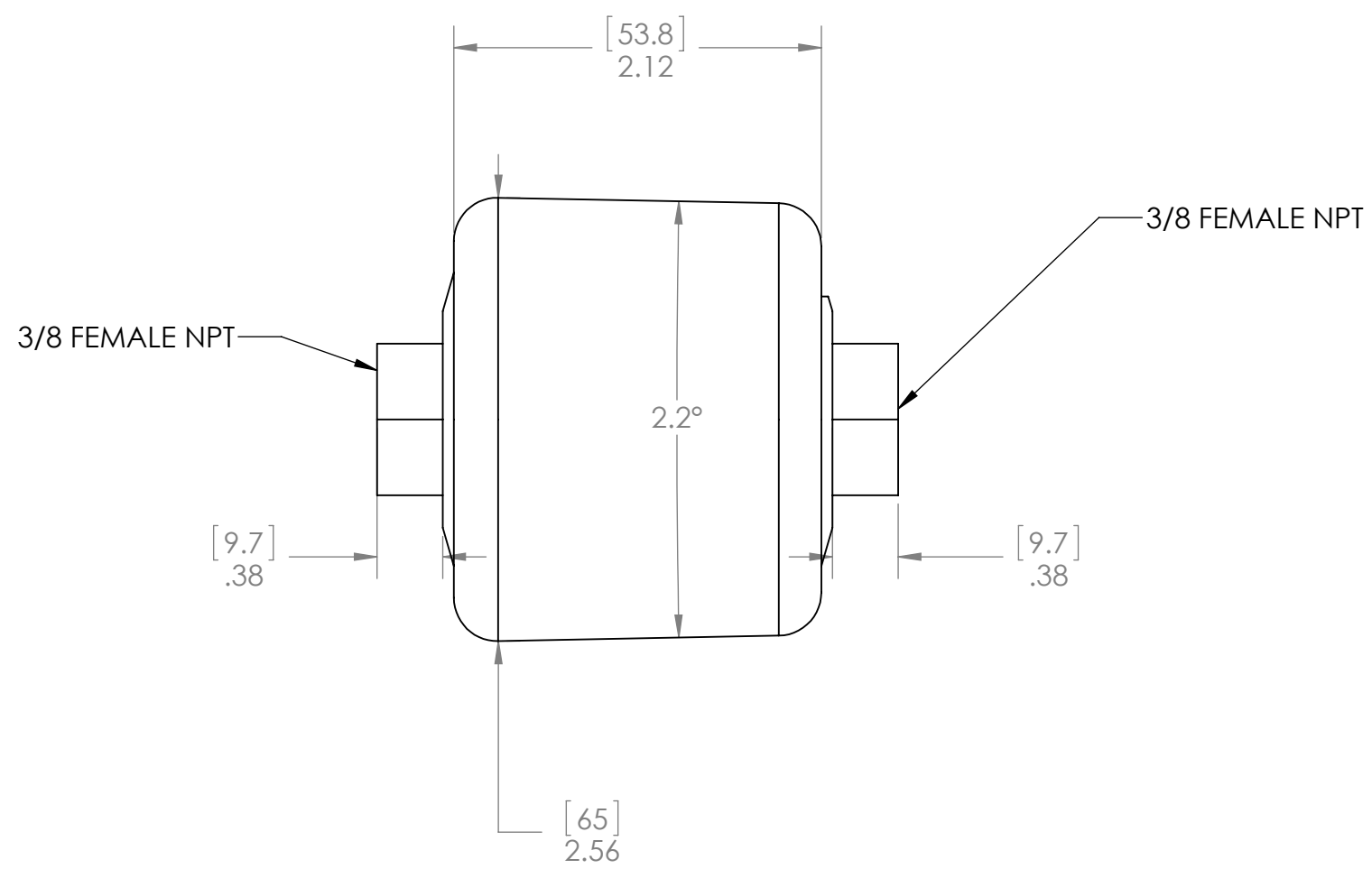


8 7 6 5 4 3 2 1

D
C
B
A

D
C
B
A



NOTE: SHOWN DIMENSIONS ARE FOR REFERENCE ONLY
DIMENSIONS SUBJECT TO CHANGE WITHOUT NOTICE

	BY	DATE	THE INFORMATION CONTAINED IN THIS DRAWING IS THE SOLE PROPERTY OF AEROCOLLOID LLC. ANY REPRODUCTION IN PART OR AS A WHOLE WITHOUT THE WRITTEN PERMISSION OF AEROCOLLOID LLC IS PROHIBITED.		
DRAWN	RT	20MAR2014	TITLE		
CHECKED			HC06-4N-PTF, HEPA CAPSULE FILTER		
UNLESS OTHERWISE SPECIFIED:			MATERIAL		
DIMENSIONS ARE IN INCHES			PP HOUSING	SIZE	DWG. NO.
TOLERANCES:				B	HC06-4N-PTF REFERENCE
ANGULAR: ± 5°			REV		
TWO PLACE DECIMAL ±0.020			SCALE: 1:1		
THREE PLACE DECIMAL ±0.005			SHEET 1 OF 1		
INTERPRET PER ANSI 14.5					

8 7 6 5 4 3 2 1