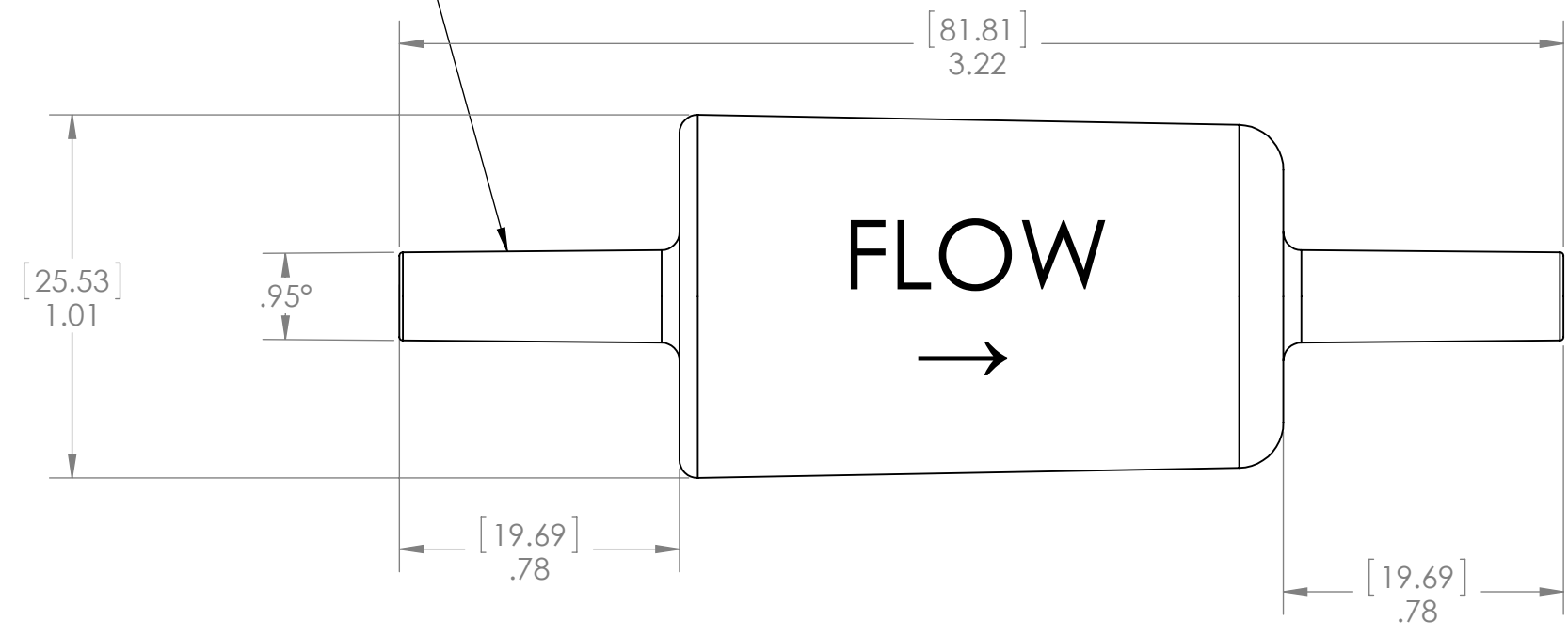


0.250" TUBE CONNECTION  
NOTE 1° DRAFT ON STUB



NOTE: SHOWN DIMENSIONS ARE FOR REFERENCE ONLY  
DIMENSIONS SUBJECT TO CHANGE WITHOUT NOTICE

	BY	DATE	THE INFORMATION CONTAINED IN THIS DRAWING IS THE SOLE PROPERTY OF AEROCOLLOID LLC. ANY REPRODUCTION IN PART OR AS A WHOLE WITHOUT THE WRITTEN PERMISSION OF AEROCOLLOID LLC IS PROHIBITED.		
DRAWN			TITLE		
CHECKED			HC01U-4N-B REFERENCE DRAWING		
UNLESS OTHERWISE SPECIFIED:			MATERIAL	SIZE	DWG. NO.
DIMENSIONS ARE IN INCHES TOLERANCES: ANGULAR: ± 5° TWO PLACE DECIMAL ±0.020 THREE PLACE DECIMAL ±0.005				<b>B</b>	HC01U-4N-B
INTERPRET PER ANSI 14.5			FINISH	SCALE: 2:1	REV
					SHEET 1 OF 1